

Product Images



Membrane Station



System Controller

Description

The Aqualoop membrane station and controller are the central components making Aqualoop an easy to use and maintain greywater system. The station holds up to 6 membranes for a maximum treatment capacity of up to 1,440 GPD. The controller is programmable for varying treatment regimens, targeting domestic sources of showers, laundry, and bathroom sinks. The controller can interface for higher level monitoring with internet and SMART phone apps.

Membrane Station Details



<i>Specifications</i>	<i>Value</i>
Maximum Number of Membranes per Station	6
Maximum Treatment throughput per Day	1,440 Gallons
Design Treatment Throughput per Day	480 Gallons
Diameter (Without Membranes)	14.5"
Height	32.7"
Weight (without membranes)	7.7 lb
Filtrate Connection from Membrane	1"
Aeration Connection to Membrane	1"
Blower Connection	1" Barbed End
Treated Water Connection	3/4"
Power Input Backwash/Transfer Pump	Max. 60 W
Maximum Length of Treated Water Transfer Line	33 Feet
Maximum Elevation Gain of Transfer Line	78"
Protection Class of Backwash/Transfer Pump	IP68

Design Note: The membrane station is suitable for systems sized for single family residences to small multi-family applications. Multiple membranes stations may be employed to achieve desired treatment capacity. For systems above approximately 2,500 GPD, we recommend using our systems custom designed for commercial scale operation.

See membrane Station and Controller Installation Instructions and Operating Manual at:

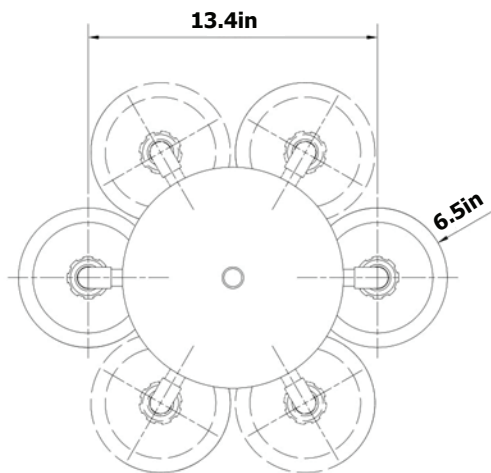
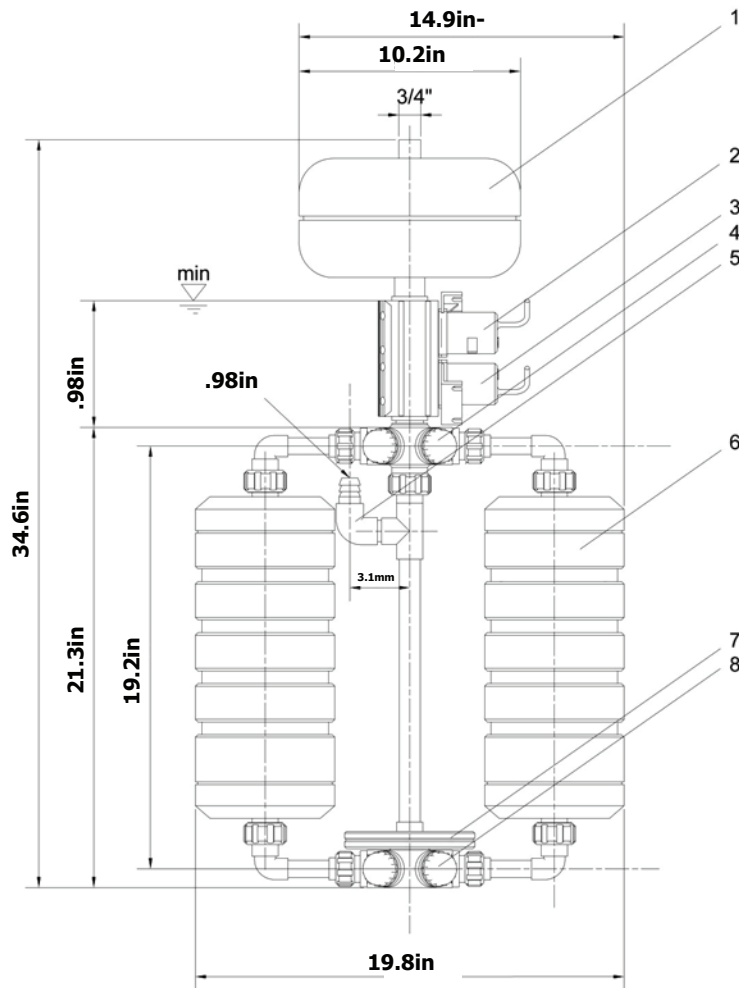
http://ecovieenvironmental.com/wp-content/uploads/2015/10/AL-MS_manual_vers.1.0c_en-1-3.pdf

Controller Details

<i>Specifications</i>	<i>Value</i>
Control Unit:	
Height	7.75"
Width	7.83"
Depth	4.33"
Weight	5.5 LB
Power requirements	110-230 VAC/50-60 Hz
Power Supply Input	110-230 VAC/50-60 Hz
Power Supply Output	24 V DC, 5.6 A
Output Power 230 V AC:	<i>Max. 1.2 kW</i>
Aqualoop Blower	30-120 W (<i>depends on size</i>)
Aqualoop Sludge Pump	280 VA
Output Power 24 V DC:	<i>Max 9 A</i>
Aqualoop Suction Pump	30-45 W (<i>depends on size</i>)
Aqualoop Back Flush Pump	120 W
Aqualoop Blower	<i>MAX 30 W (optional)</i>
Signal Input Isolated:	
Bioreactor MIN	<i>Float Switch Close</i>
Treated Water Tank MIN	<i>Float Switch Close</i>
Treated Water Tank MAX	<i>Float Switch Close</i>
Signal Output Isolated:	
Treated Water Tank MAX OUT	<i>Float Switch Close</i>
Signal Input Analog:	
Pressure Sensor Membrane Station	<i>3 Way Connector - 4-20 MA</i>
Pressure Sensor Blower	<i>3 Way Connector - 4-20 MA</i>
Interface	<i>RS232 (Optional)</i>
Monitoring	<i>GSM, GPRS, Internet</i>
Coding Connection	<i>6 Pol, RM 2.53</i>
Safety Class	<i>IP54</i>
Float Switches:	<i>2 Included (Bioreactor MIN, Treated Water MAX)</i>
Function	<i>Closing Contact</i>
Cable Length	<i>49 Feet</i>
Cable Cross Section	<i>8 mm</i>
Safety Class	<i>IP68</i>

Design Note: The controller can be used to run up to 3 membrane stations.

Diagram & Dimensions



No.	Description
1	Backflush Reservoir
2	Backflush Pump
3	Transfer Pump
4	Permeate Distributor
5	Aeration Pipe Inlet
6	Membrane Cartridge
7	Wheel weight
8	Aeration Distribution Nozzle
9	Power Pack
10	Transformer

